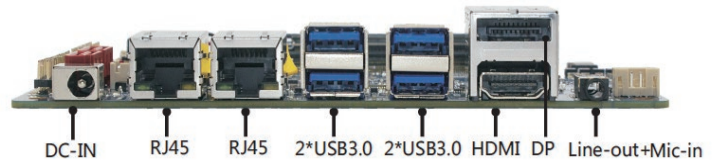
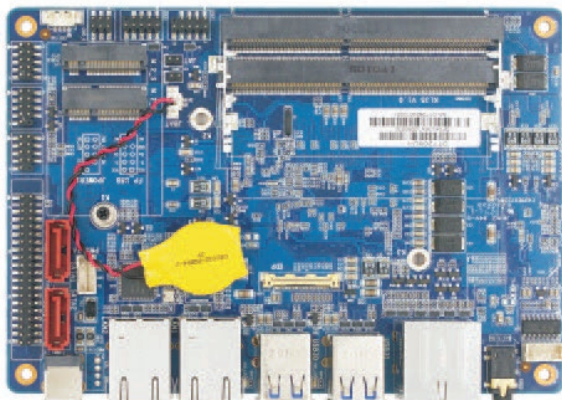


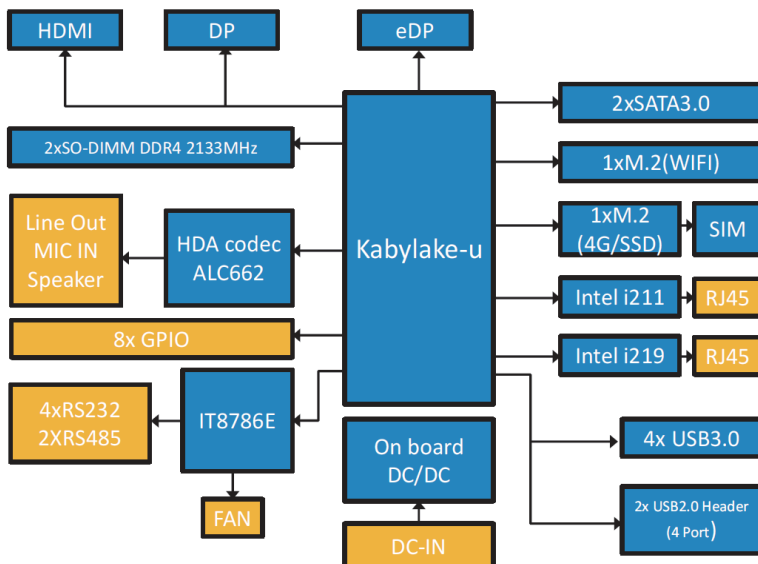
# Industrial Embedded Motherboard Based on Intel® Kabylake-U

## Features:

- Supports Intel Skylake-U, Kabylake-U and Celeron BGA processors
- Supports dual-channel DDR4 storage up to 32GB
- HDMI, DP and eDP display output
- 10/100/1000Mbit network card, supports wireless network
- SATA3.0, M.2
- DC 9~24V input



KL35 BLOCK DIAGRAM



Specification:

<b>Processor and System</b>	CPU	3865U	i3-7100U	i5-7200U	i5-7300U	i7-7500U
	CPU Clock Speed	1.8GHz	2.4GHz	2.5GHz	2.6GHz	2.7GHz
	Turbo			3.1GHz	3.5GHz	3.5GHz
	Cache Memory	2MB	3MB	3MB	3MB	4MB
	BIOS	AMI 8Mb UEFI BIOS				
<b>Storage</b>	Type	Dual-channel 2 x DDR4 2133MHz				
	Max Storage	32GB				
<b>Display</b>	Graphics	Intel HD Graphics 610/620 (based on CPU)				
	HDMI	Support				
	DP	Support				
	eDP	Support				
	Display	HDMI + DP + eDP				
<b>Ethernet</b>	Speed	10/100/1000Mbps				
	Controller	1 x Intel i211 Gigabit Network Card/1 x Intel i219 Gigabit Network Card				
	Interface	2 x RJ45				
	Wake-on-LAN	Support				
	vPro/AMT	Support(Choose Intel i219 Network Card and CPU that supports vPro/AMT)				
<b>Audio</b>	Audio Codec	Realtek HD ALC662				
	Interfaces	Line-out + MIC-in(Two in One), Power Amplifier Pins for Passive Speakers				
<b>Hardware Monitor</b>	CPU/System Temperature, Onboard DC Voltage, Watchdog, Power Management Setup					
<b>Storage</b>	M.2	1 x M.2 for 4G or 2242 SSD (SATA Protocol)				
	SATA3.0	2 x SATA3.0 (Celeron CPU only support 1 x SATA3.0)				
<b>Expansion Slots</b>	M.2	1 x M.2 for wifi				
	SIM	1				
<b>Back I/O Interfaces</b>	Audio	1 x Line-out + MIC-in (Two in One)				
	Network Interfaces	2 (10/100/1000Mbps)				
	USB3.0	4				
	DP	1				
	HDMI	1				
<b>Onboard I/O Pins</b>	Serial Ports	4 x RS232, 2 x RS485 (Optional: COM1~COM4 with power supply)				
	USB2.0	Onboard 4 x USB2.0 Pins				
	Digital I/O	8 x GPIO				
<b>Power</b>	Standard Input Interface	1 x 9~24V DC-IN/4 PIN Power				
	Peripheral Input Interface	Onboard Interface for Power Input of Fan and SATA				
	Indicator Light	POWER Light Indicator				
<b>Other Physical Parameters</b>	Board Size	3.5"				
	Size (mm)	146 x 102mm				
	Operating Temperature	-40~60°C				
	Storage Temperature	-40~80°C				
<b>Operating System</b>	Win7 64bit, Win10 64bit, Linux 32/64bit					